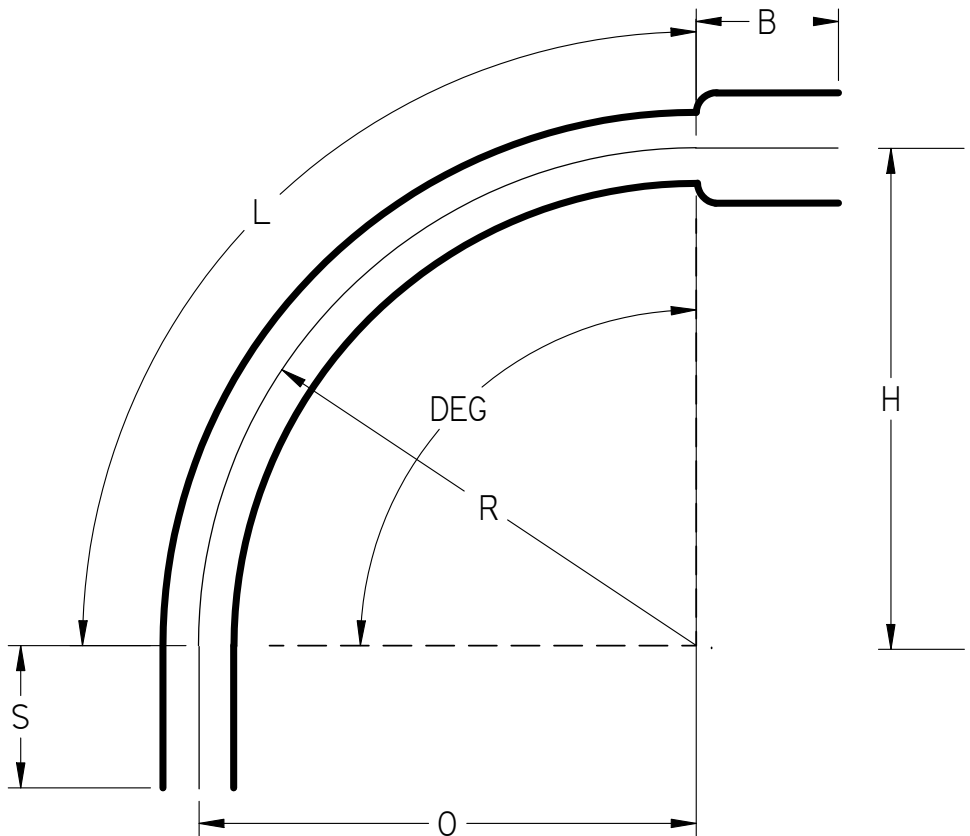


Part Number	Size	Deg	R	O	H	S Min	B Min	L
22110	1"	90°	18	18	18	1.875"	1.5	28.25
22112	1 1/4"	90°	18	18	18	2"	2	28.25
22115	1 1/2"	90°	18	18	18	2"	1.375	28.25
22120	2"	90°	18	18	18	2"	1.75	28.25
22125	2 1/2"	90°	18	18	18	3"	3	28.25
22130	3"	90°	18	18	18	3.125"	2.875	28.25
22140	4"	90°	18	18	18	3.375"	5.00	28.25



z Listed 651
NEMA TC3
See NEC Article 352 for Usage

> View this sheet of 1

90° Elbows Belled End Schedule 40 18 "Radius

UNLESS OTHERWISE SPECIFIED
DIMENSIONS ARE IN INCHES
ANGLES ±2.0°

	NAME	DATE
DRAWN	K. Mitchell	10/09/23
CHECKED		
ENG APPR		
FILE: 90 DEG SCH 40 18 RAD BE.dft		REV 10